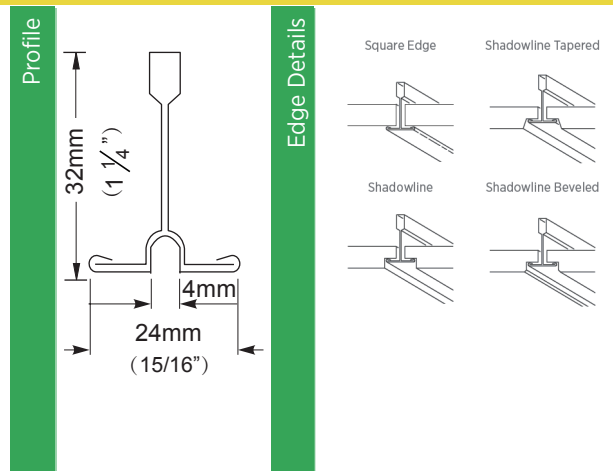


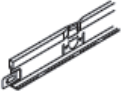


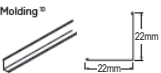
DONN® DXIII



FEATURES AND BENEFITS

- 24mm (15/16") exposed ceiling grid components used in general and designer applications.
- Rounded 3mm reveal creates a more luxurious utility grid system.
- Available in black or unpainted reveal for versatility.
- Advanced steel galvanization coating system on grids that resist corrosion and rust.
- Assembles and locates with an audible "click" for grid module firmness.
- Patented proprietary QUICK-RELEASE™ cross tees that removes with a twist and roll action, advantageous in low clearance areas.
- Complies with loading requirements of the Light Duty Classification under ASTM C635.



Tee System	Length(mm)	Height(mm)	Item No.	Class	Color	
MAIN TEE	 3000	32	DXIII 3000 IM	Class A	Flat White/Black	
	3048/10'	32	DXIII 3048 IM	Class A	Flat White/Black	
CROSS TEE	 1200	32	DXIII 1200 IM	Class A	Flat White/Black	
	1220/4'	32	DXIII 1220 IM	Class A	Flat White/Black	
CROSS TEE	 600	32	DXIII 600 IMM	Class A	Flat White/Black	
	610/2'	32	DXIII 610 IMM	Class A	Flat White/Black	
WALL ANGLE	 Molding 22mm x 22mm	3000	22x22	MT 3000	Class A	Flat White

Manufactured, sold or distributed by USG Boral Building Products or one or more of its affiliates.
Persiaran Lagoon, Bandar Sunway, Petaling Jaya, Selangor, Malaysia 46150

SAFETY FIRST!
Follow good safety/industrial hygiene practices during installation. Wear appropriate personal protective equipment. Read SDS and literature before specification and installation.

TRADEMARKS
The trademarks CLIMAPLUS, DONN, DX, DXF, DXFF, DXL, DXT, DXW, DXI, DXM, DXI, DXII, DXIII, FINELINE, IDENTITEE and INNOVATION INSPIRED BY YOU are trademarks of USG Boral Building Products or one of more of its affiliates.

USG BORAL SINGAPORE
8 Boon Lay Way #02-06 TradeHub 21
Singapore 609964
Tel: (65) 6272 9272 Fax: (65) 6278 5310
www.usgboral.com

USG BORAL

Boral Plasterboard (Malaysia) Sdn Bhd doing business as USG Boral Singapore